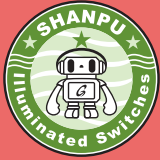




ShanPu

Illuminated Silent key Switch SPG



靜音開關，創新體驗。
Silent Switch, Innovating New Experience.



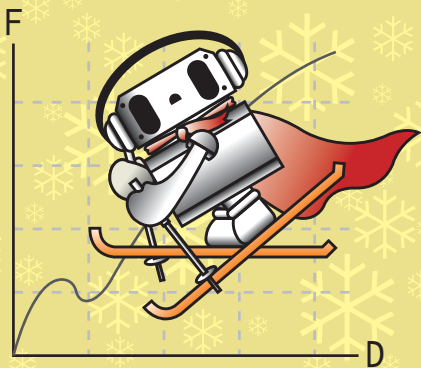
使用範圍

音響、影像等錄音室器材設備

Application

Audio · Video · studio equipment.

行雲流水 滑順有感
Smooth Operation

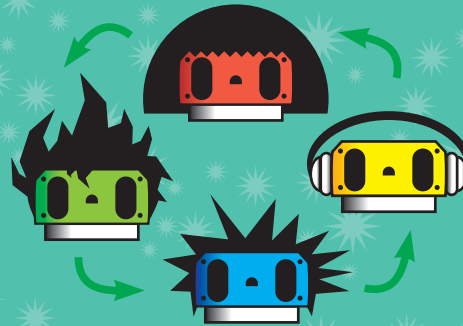


鍍金雙接點 · 穩定耐用



Twin contacts with gold plating
assure high reliability and long life

LED照光顏色多變，可替換Cap



Available for choices with many
kind of Leds and Caps

安靜無聲
Silent operation





ShanPu

Illuminated Silent key Switch SPG1/SPG2



台灣精品2011
TAIWAN EXCELLENCE

General Specifications
 Current Rating :100mA
 Voltage Rating :12VDC
 Contact Resistance :100m Ohm (initial)
 Insulation Resistance :100M Ohm Min.
 Operating Force :200gf ± 50gf
 Total Travel : (SPG1)4.5mm±0.50mm
 (SPG2)3.5mm±0.50mm
Mechanical Life :5,000,000 cycles Min.
Solder Specifications :260 deg. for 3 seconds
Function :Momentary (SPST)
Operating Temperature : -25 °C ~ +50°C

Materials
 Cover :Polycarbonate (PC)
 Cap :Polycarbonate (PC)
 Reflector :Polyoxymethylen (POM)
 Base-Cap :Polyamide (PA)
 Moving contact :Phosphor Bronze with gold plating
 Base :Polyamide (PA)
 Terminal :Brass with gold plating
 Spring :SUS

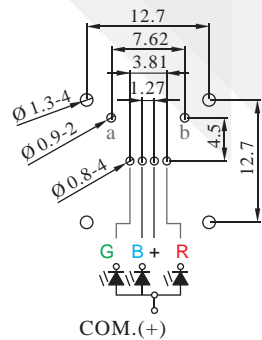
PAT. US8,129,640
 PAT. I376716
 PAT. ZL 2010 1 0102778.5

PCB layout & Circuit Diagram

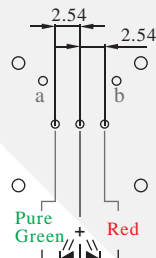
/ Switch



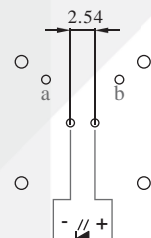
/ RGB LED



/ Dual LED

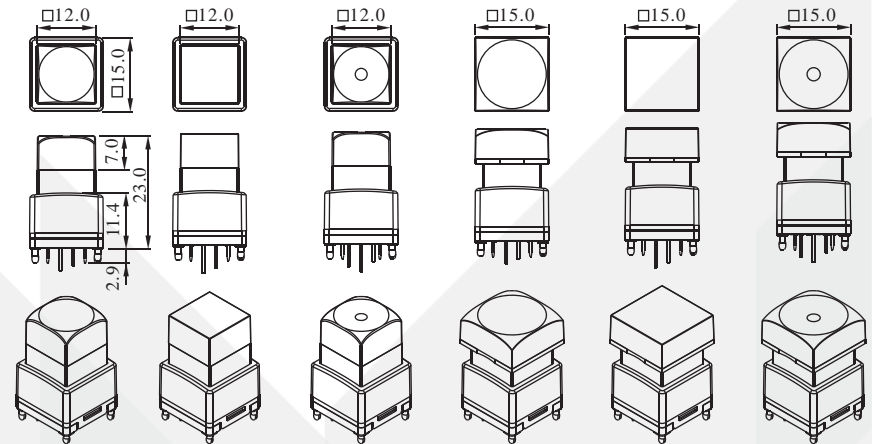


/ Single LED

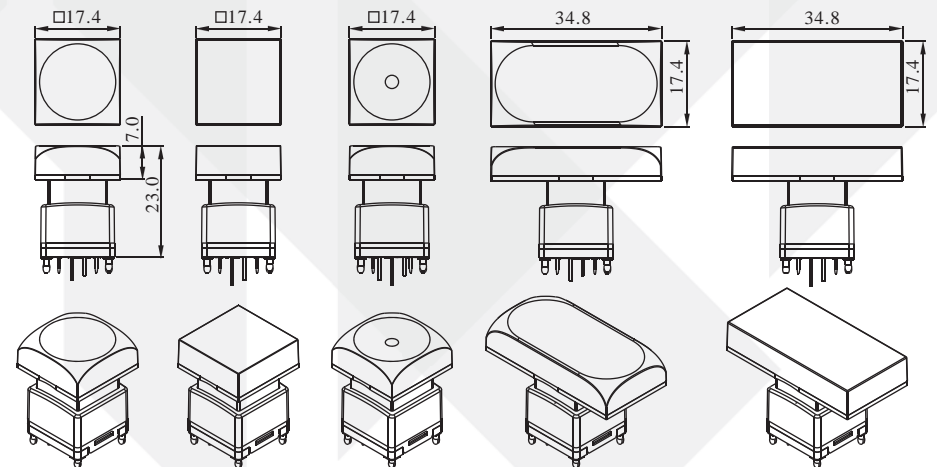


Dimension

/ A Cap (VC) / A Cap (FC) / A Cap (SC) / B Cap (VC) / B Cap (FC) / B Cap (SC)



/ C Cap (VC) / C Cap (FC) / C Cap (SC) / D Cap (VC) / D Cap (FC)

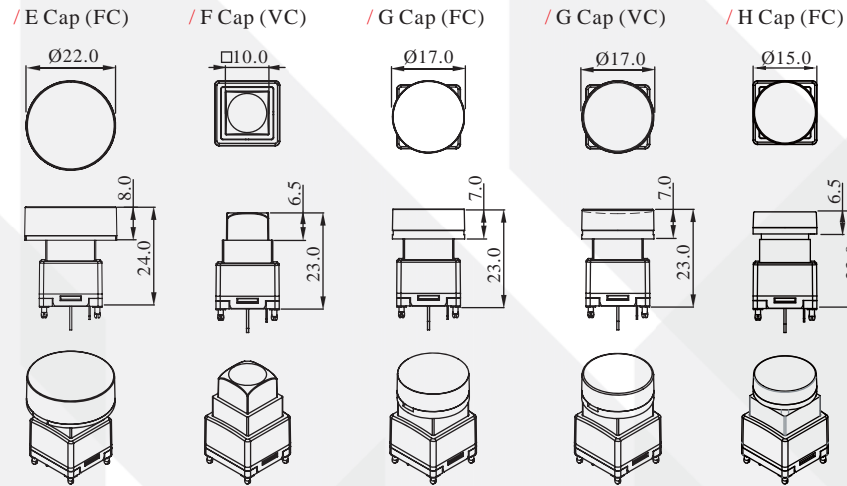




ShanPu

Illuminated Silent key Switch SPG1/SPG2

Dimension



How to Order

SPG

Travel	
1	4.5mm
2	3.5mm

LED Color	
5	Pure Green
D	Red/Pure Green
9	RGB Full color

Cap Sizes	
A	□12mm
B	□15mm
C	□17.4mm
D	34.8*17.4mm
E	Ø22.0mm
F	□10mm
G	Ø17.0mm
H	Ø15.0mm

Cover style	
FC	Flat Clear
VC	Concave Clear
SC	Spot Key Clear

Feeling	
T	Tactile
N	Nontactile

Actuator		
A	□12mm	For cap A
B	□15mm	For cap B
	□17.4mm	For cap C
	34.8*17.4mm	For cap D
	Ø22.0mm	For cap E
C	Ø17.0mm	For cap G
	□10mm	For cap F
	Ø15.0mm	For cap H

Diffuser Color	
4	White

Cap Sizes	Cover style	Cover style		
		FC	VC	SC
A □12		•	•	•
B □15		•	•	•
C □17.4		•	•	•
D 34.8*17.4		•	•	--
E Ø22.0		•	--	--
F □10		--	•	--
G Ø17.0		•	•	--
H Ø15.0		•	--	--

* "--" Not available

EXAMPLE : SPG1TB5G4FC

